



PASVE® is a ball-type mounting & service valve for SATRON VG and HG type level and pressure transmitters. **PASVE®** makes it simple to disconnect the transmitter from the process for maintenance and cleaning, without stopping the process or draining the tank.

PASVE® is available in a manually operated type or equipped with a pneumatic actuator.

TECHNICAL SPECIFICATIONS

Transmitter connection

G1 female, seat accepts SATRON VG-transmitters.

Max. operating pressure/temperature

Pressure 40 bar, temperature 250 °C, (see the appended table).

Min. operating temp. -50 °C.

PVDF: See the appended table.

Materials

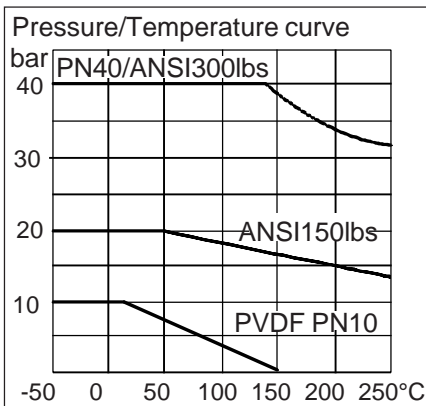
Wetted parts: AISI316L, Duplex, Hastelloy C276, Titanium, for **F** type also PVDF.

Seals PTFE or PTFE with carbon and graphite filling.

Weight

PASVE GC 4.3 kg, PASVE GP 4.2 kg,

PASVE GF 8.4 kg, Actuator 5.5 kg



Selection table

PASVE

Body

- G** Std. (with 3 seals)
- N** Flushing (with 2 seals)

Mounting

		Wetted parts (C and P)	
		Code	Material
C	On container	none	AISI316L (std.)
P	On pipe	3	Hastelloy C
		6	Titanium
		8	Duplex

F Onflange		Wetted parts	
Type	Flanges	Code	Material
DN80		D	AISI316L
ANSI 3"/150		A	Hastelloy C276
ANSI 3"/300		B	Titanium
JIS 10K 80		E	Duplex
JIS 40K 80		F	PVDF PN10
*)Other flanges		S	

Seals

- 0** PTFE + 20C + 5Gr (as standard)
- 1** PTFE 100%

Pt100 Temperature sensor (Only with body code N)

- 0** No sensor
- X** With sensor (Measuring range: -50...+200 °C)

Actuator

- MD** No actuator (manually operated)
- AD** Double-action actuator
- AS** Spring-return actuator
- AE1** Electric actuator 230 V
- AE3** Electric actuator 115 V

▲ Solenoid valve type (for codes AD and AS only)

- 0** No solenoid valve
- 1** 230 V AC 50 Hz 2 W (std.)
- 2** 24 V DC 2.5 W (also EEx dm)
- 3** 115 V AC 60 Hz 2 W
- 4** 28 V DC 0.4 W (EEx ia)

▲ Solenoid explosion proof

- 0** No explosion proof
- 1** EEx m II T5
- 2** EEx ia IIC T6 (only 28V)
- 3** EEx dm IIC T5/T6 (only 24V)

Position switches

- 0** None
- X** Equipped with position switches
- E** Position switch NAMUR, DIN 19234
- A** Position switch EEx ib IIC T5/T6

Options

- Z1** Oxygen wash
- Z2** Process side flushing

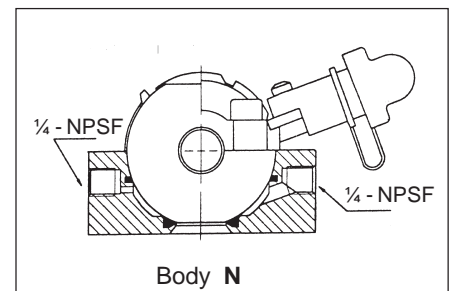
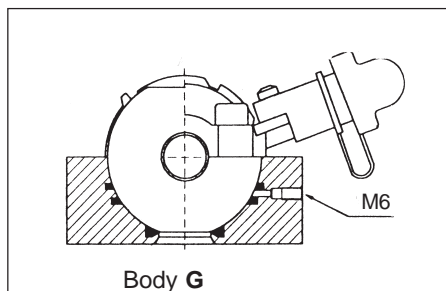
Documentation

- IE** English
- IF** Finnish

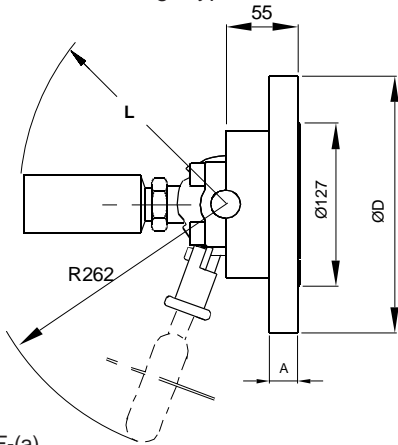
Material certificates

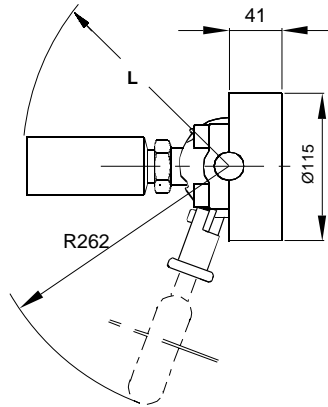
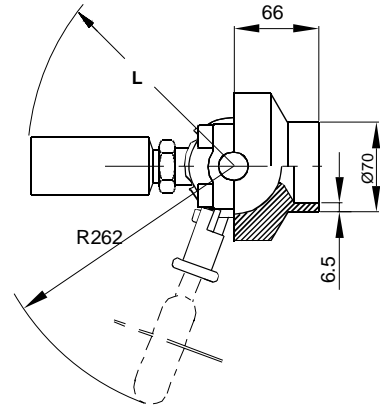
- 0** No material certificate
- MC1** SFS-EN 10204-2.1 (DIN50049-2.1)
- MC2** SFS-EN 10204-2.2 (DIN50049-2.2)
- MC3** SFS-EN 10204-3.1B (DIN50049-3.1B)

Specification example: **PASVE G FD2 0 X AD1 X**



Dimensions (mm)

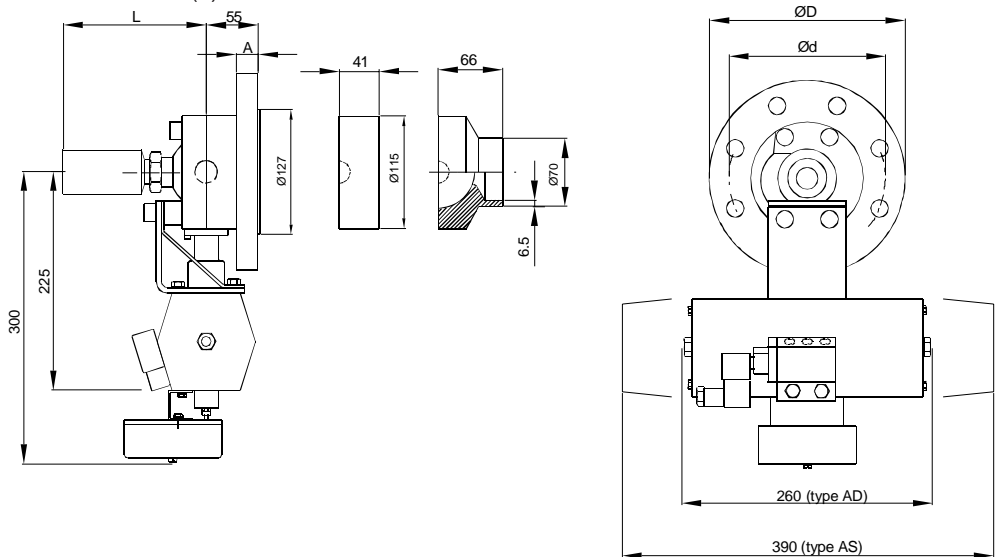
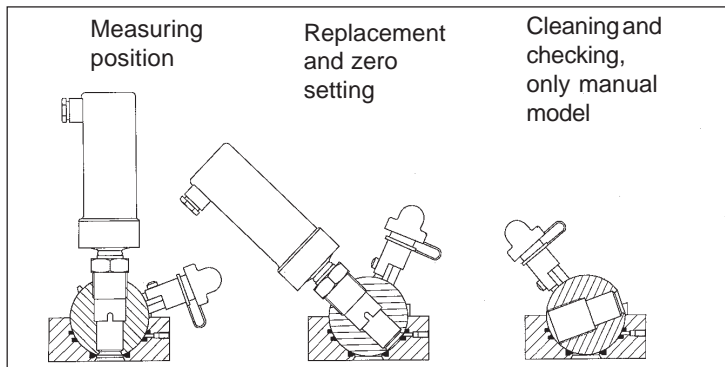
 PASVE GF-(a)
 NF-(a)
 Flange type

Manually operated

 PASVE GC
 NC
 Welded on container

 PASVE GP
 NP
 Welded on pipe


GF-(a)

a	FLANGE	ØD	Ød	A
A	ANSI 3" 150 lb	191	152.4	22
B	ANSI 3" 300 lb	210	168.3	27
D	DN80 PN40	200	160	22
E	JIS 10K 80	185	150	20
F	JIS 40K 80	210	170	30

With pneumatic actuator

 PASVE GF-(a) PASVE GC PASVE GP
 NF-(a) NC NP

OPERATING POSITIONS

Surface temperature

Ambient temperature °C	Temperature class
70	T6
85	T5
120	T4

European Directive Information

ATEX directive (94/9/EC)

Satron Instruments Inc. complies with the ATEX directive.

European Pressure Equipment Directive (PED) (97/23/EC)

- Sound Engineering Practice

We reserve the right for technical modifications without prior notice.

 Teflon® is the registered trademark
 of E.I. du Pont de Nemours & Co

 Hastelloy® is the registered trademark
 of Haynes International.

Pasve® is the registered trademark of Satron Instruments Inc.

European Certification
